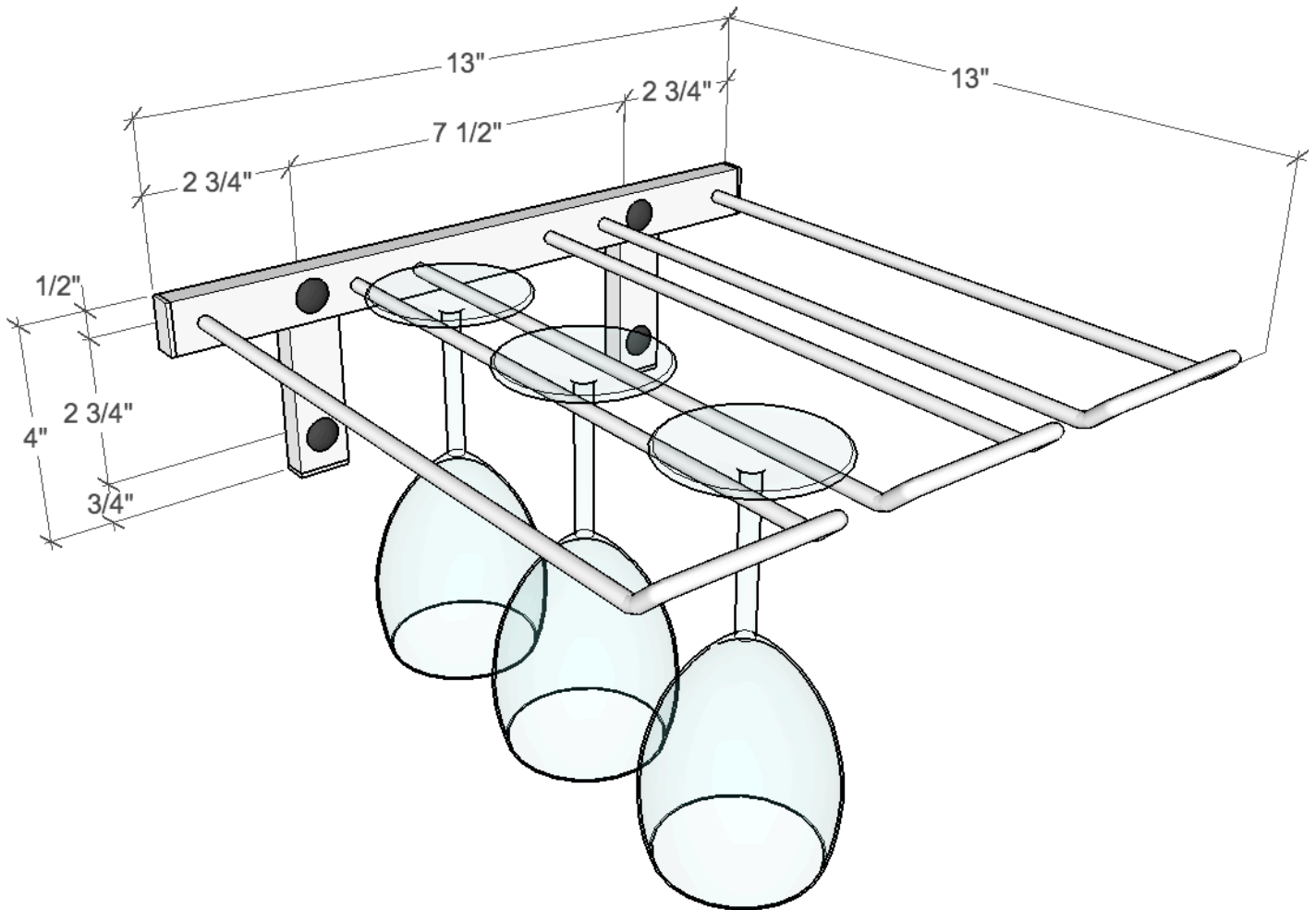




Wall Series Stemware Rack (WS-SR) Spec Sheet

Capacity of an individual WS-SR is 6 stemware glasses.

When coupled together, each additional rack provides storage for 9 additional stemware glasses.



Note: A minimum of 1 inch above the rack and 12 inches down from the top of the rack are recommended clearances, but may vary by the height of the stemware stored.