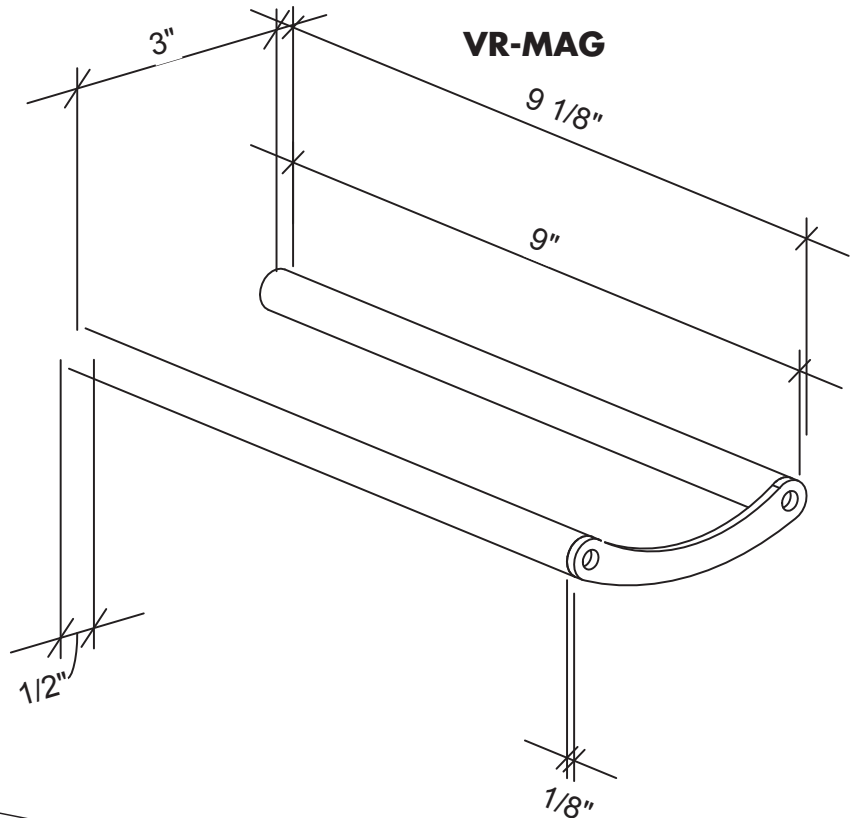


Vino Rails Magnum

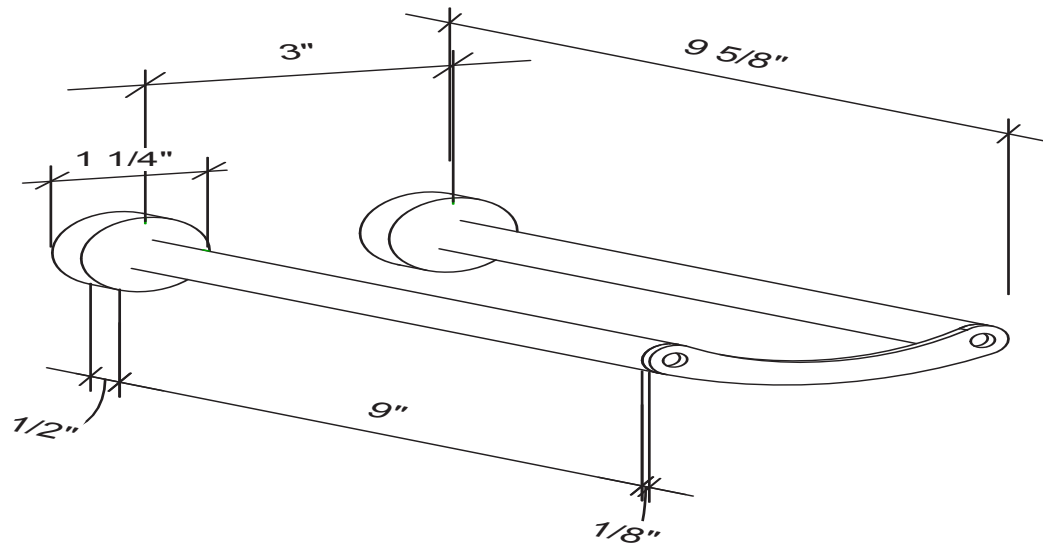
Spec sheet for VR-MAG and VRC-MAG wine racks



Account for 15" of depth for most magnum bottles



VRC-MAG (for drywall)



VINTAGEVIEW®
MOVING WINE STORAGE FORWARD

4690 Joliet St., Denver, CO 80239 | phone: 866.650.1500 | fax: 866.650.1501 | VintageView.com

For product warranty information, please visit: VintageView.com/support/warranty. We're here to help, call us at 866-650-1500 with any questions