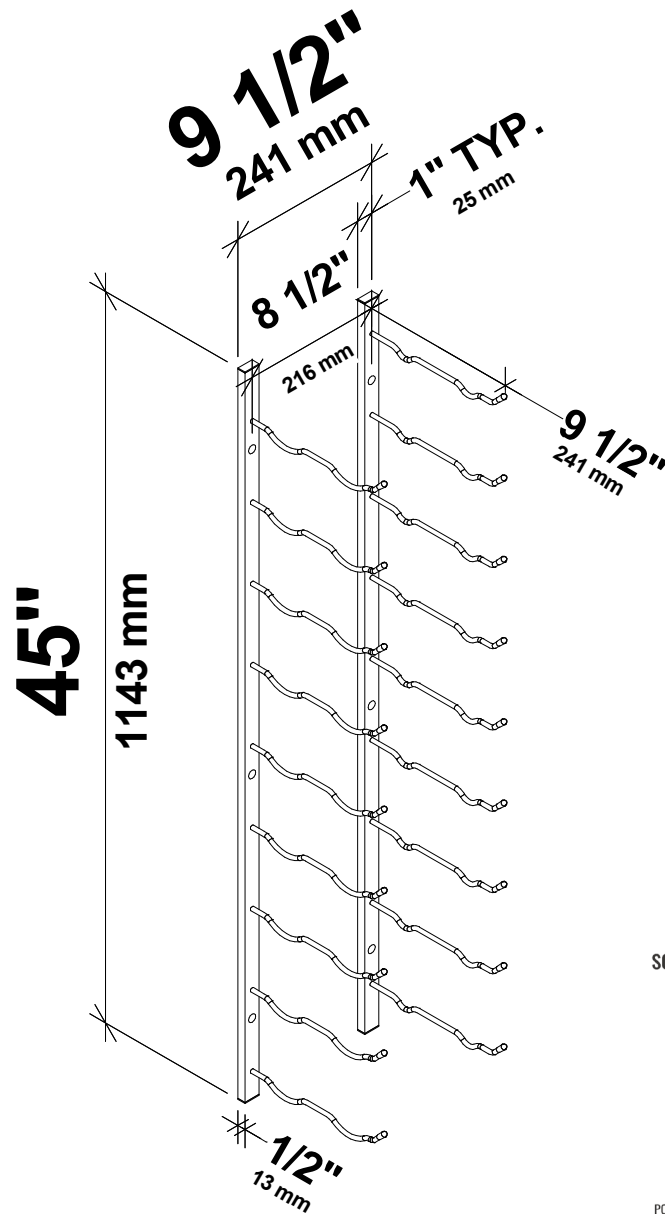


# W Series Mag Wine Rack

Spec Sheet for MAG2 (18-bottle wine rack for champagne and magnum bottles)



WIDTH  
Allow for 13" (33cm)  
for (Champagne)  
and 15" (38cm) for  
Magnum when  
bottles are stored.

SCAN FOR BILT. 3D INSTRUCTIONS



POWERED BY BILT INTELLIGENT INSTRUCTIONS®



VINTAGEVIEW®  
MOVING WINE STORAGE FORWARD

4690 Joliet St., Denver, CO 80239 | phone: 866.650.1500 | fax: 866.650.1501 | [VintageView.com](http://VintageView.com)

For product warranty information, please visit [vintageview.com/warranty](http://vintageview.com/warranty)