



USER GUIDE

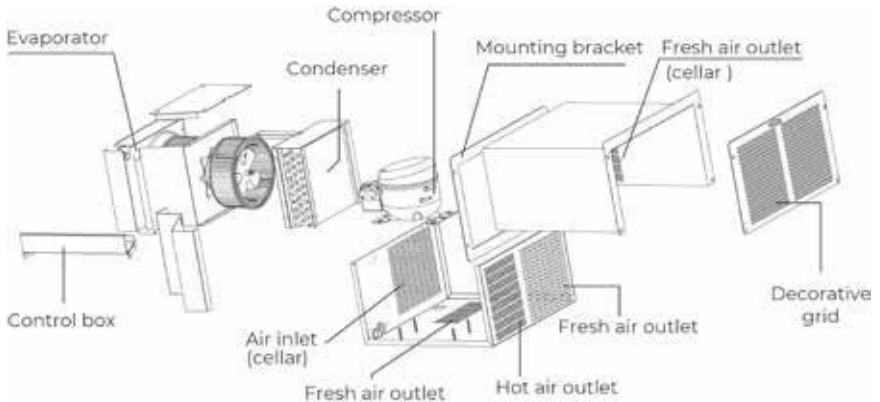
WINE CELLAR COOLING UNIT



GUIDE AND CONTENT

Product overview – Introduction	01
Packaging contents	02
Safety instructions before installation	03
Preparation	04
Installation instructions	08
Start-up and operating instructions	09
Specifications	10
Cleaning and maintenance	11
Warnings	12
Troubleshooting	13
Warranty	14

PRODUCT OVERVIEW



INTRODUCTION

Wine must be kept at a constant temperature to age properly. Using their excellent knowledge of wine refrigeration, our engineers have carefully developed this innovative cooling unit. WINE-R is a machine that uses brand new technology. Thanks to its powerful compressor, it reaches the desired temperature quickly, extending the wine's shelf life and adding to your enjoyment. The unit is easy to install and very quiet. WINE-R is the tool you've been looking for to complete and optimize your wine cellar's efficiency.

PACKAGE CONTENTS

1 X COOLING UNIT



4 X SCREWS 2"



1 X CLAMPING PLATE
+ 4 screws 1 1/2"



1 X USER GUIDE



1 X CONTROL PANEL AND CABLE



1 X DRAIN PIPE
1 X CLAMP
1 X ELBOW



1 X BLACK FINISHING GRID



INSTRUCTIONS DE SÉCURITÉ AVANT L'INSTALLATION

- Check that your electrical outlet is adequate and up to code before setting your WINE-R cooling unit in place.
- Do not use an extension cord or a shared circuit.
- Electronic devices must be protected against power surges.
- Be sure to use an outlet that cannot be turned off by a switch.
- Before installing, unplug the unit or turn off the power.
- Be sure to install the unit in accordance with local wiring codes.
- Before installing, plug or seal larger holes with insulation or silicone caulking. Also cover drywall with odourless waterproof paint.
- Before installing, make sure the outlet is close enough to be reached by the unit's cord.
- Before operating the unit, check the voltage of the mains and do not use if it is below 105 V.
- Make sure all floors are insulated, as uninsulated concrete floors will radiate heat and moisture during the summer months, causing the unit to operate inefficiently.
- All walls must be properly insulated with R20 insulation.

PRÉPARATION

Make sure all floors are insulated, as uninsulated concrete floors will radiate heat and humidity during the summer months causing the unit to run inefficiently. All walls must be properly insulated at least with R20.

01 Gather all materials and tools

Measure your space and prepare the following materials and tools: pencil, electric drill, level, screwdriver, hammer, stud finder (recommended), stepladder, elbow, pliers, water hose, screws, and the decorative grille.

02 Choose a location

For your Wine-R unit. The space should be out of direct sunlight and not exposed to any source of heat. The unit should also be close to an electrical outlet.

03 Check for leaks

When preparing the room to install your WINE-R unit, make sure all walls, ceilings, and floors are free of air, light, and water leaks. In particular, check that all corners, joints, gaps, vents, electrical outlets, and switches around the door and frame are properly sealed.

04 Insulate the air/vapour barrier or space

For new constructions with new frame walls, wrap or insulate the air/vapour barrier or space in the door, walls, floor, stud cavities, and existing ceiling with a minimum thickness of 20 cm (R20) of thermally resistant rigid insulation before installing the cooling unit.

05 Temperature range

Choose an appropriate location suitable for the model's cooling capacity, where the ambient temperature is generally between 55 °F and 60 °F with a humidity level of 50% to 70%. The temperature of the wine must remain as stable as possible. Temperature fluctuations may reduce its quality.

06 Location of outlets

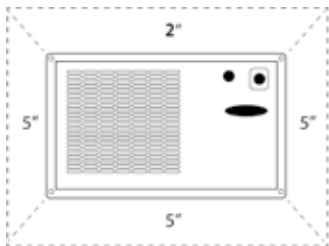
On the cold side of the unit, place the electrical outlet (15 A, 110 V with fuse and circuit breaker) in the empty spaces where the included power cord will be easily accessible.

INSTRUCTIONS FOR INSTALLATION OVER A DOOR:

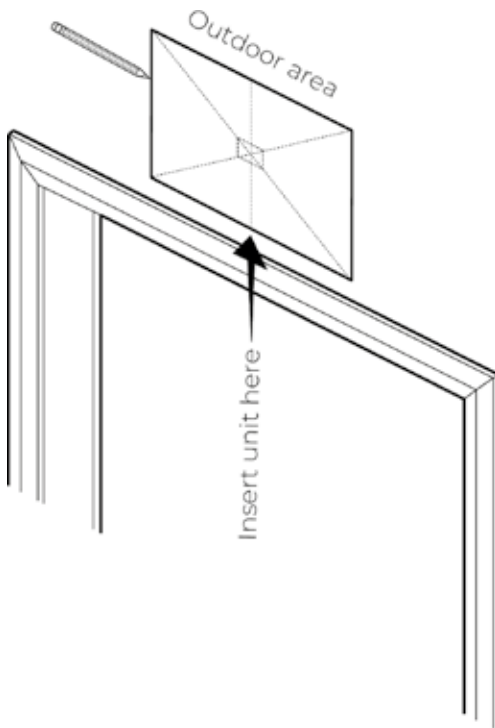
- Before installation, check the unit by performing a bench test for at least 10 minutes.
- During the test, the display should light up, the airflow should start within one minute, and then the compressor should follow in another minute.
- If the "hot" side discharges hot air and the "cold" side discharges cold air, the unit is ready to be installed and used.
- Two people will be needed to install the unit.

1

Use only safe, certified ladders. Trace the outline or draw a pattern above the door to indicate the hot side.



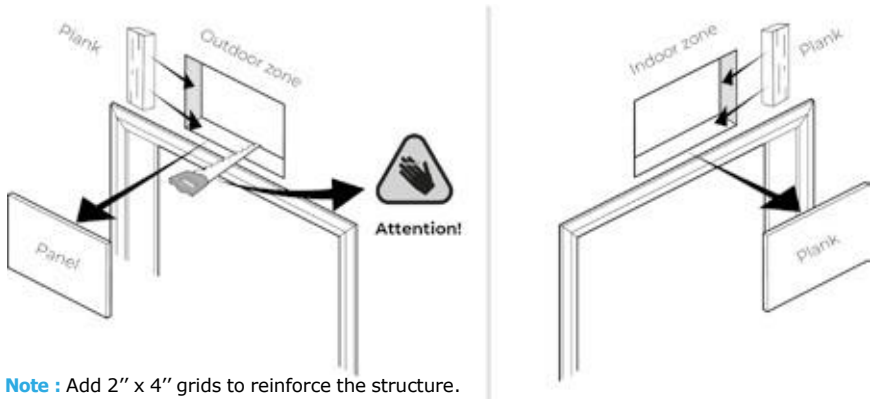
Caution: Make sure you have a 5" clearance all around the unit on the cold side.



2

Cut out the two sides of the rectangle:

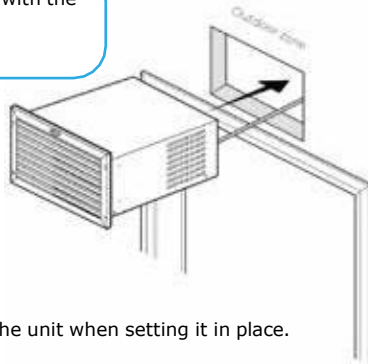
Width : 15 5/8" Height : 9 1/4"



Note : Add 2" x 4" grids to reinforce the structure.

3

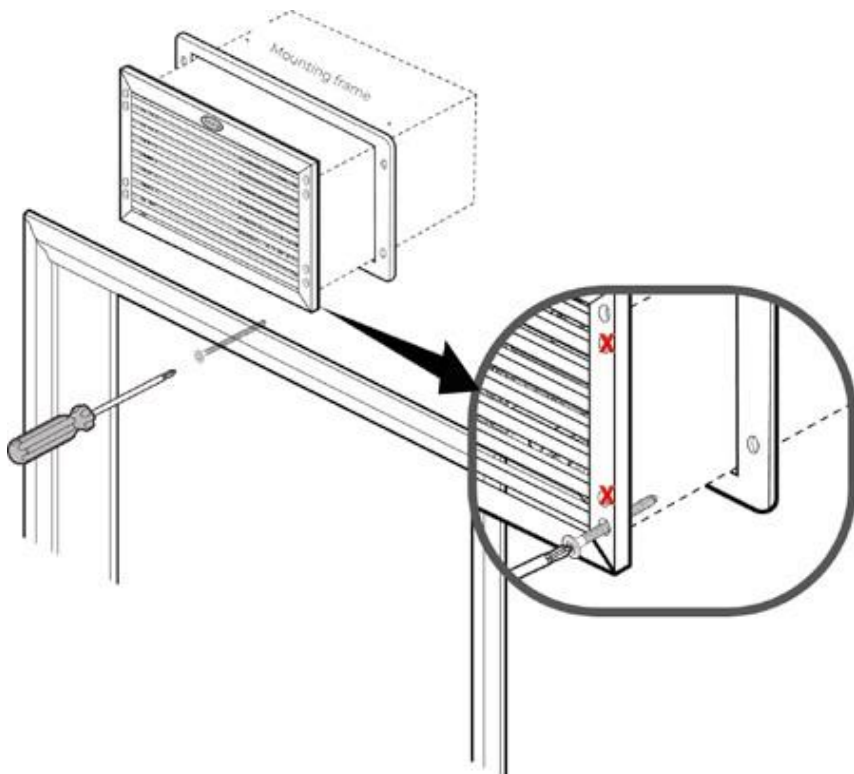
Carefully insert the cooling unit with the help of another person.



Note : Be careful not to damage the unit when setting it in place.

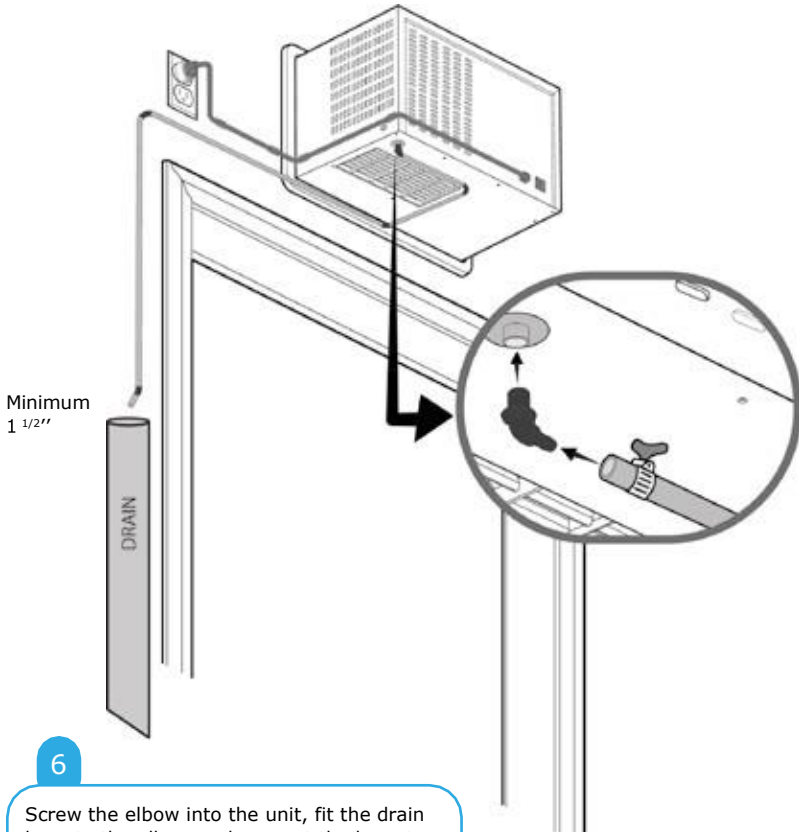
4

Add the fixing bracket to the cold side of the unit and attach the grille to the unit with a screwdriver.



5

Attach the drain hose or water hose to the elbow, then attach the elbow to the unit. Next, plug the unit into the electrical outlet and wait one minute. The unit will then begin to operate. **Please note that if you extend the length of the drainage pipe by more than 5 feet, it is imperative to consult a qualified professional to ensure proper drainage function.**


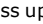



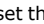
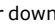
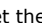
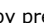





6

Screw the elbow into the unit, fit the drain hose to the elbow and connect the hose to the drain.

CONTROLLER (THERMOSTAT) OPERATION



1. **POWER ON / OFF** : After power, press the power button  to power on or off..
2. **TEMPERATURE SETTINGS** : Press up  or down  to adjust the temperature, setting temperature rang : 50 to 77°F.
3. **CLOCK SETTINGS** : Press  to set the current time, when the minute number flashes, press up  or down  to set the correct minutes, press  then hour numbers flashers, set the correct hours by pressing up  or down  .
4. **TIMER SETTINGS** : Long press  after 5 seconds, it will show "Timer OFF", set the "Timer ON" (minutes & hours) by pressing up  or down  .
5. Fan speed

SPECIFICATIONS

THERMOSTAT

Options	On/Off // Temp+ Temp- // Fan
Temperature	10 - 25 °C / 50 - 77 °F
Cable lenght	5 feet

EVAPORATOR AND CONDENSER

Fan motor	25W
Airflow	120 CFM

COMPRESSOR

Power	0.20HP
Refrigerant	134A

ÉLECTRICITÉ

Capacity	120/60/1
Cold	2.8A
Power	330W
Circuit	15A

CASING

Materials	Galvanized aluminum
Finish	Black coating

DIMENSIONS

Width	15,35" / 390mm
Length	16,22" / 412mm
Height	8,78" / 223mm
Weight	19kg/42 lbs

DRAIN

Interior	1/4"
----------	------

PLUG

Back color	
Lenght	6 feet

CLEANING AND MAINTENANCE INSTRUCTIONS

- To clean, unplug or turn off the power to the unit and carefully remove the grille.
- Use a vacuum cleaner with a brush attachment to clean the coils when they are dusty or dirty.
- Avoid abrasives or other harsh cleaners such as window sprays, scouring cleaners, flammable liquids, cleaning waxes, concentrated detergents, bleach, or petroleum-based cleaners on plastic parts. Do not use paper towels, scouring pads, or other harsh cleaning materials. These may scratch or damage the unit. Replace the grille and plug in or reconnect the unit.
- Use only nonflammable cleaners to clean the unit.
- Clean the gasket that extends beyond the door to create a seal with the surface it touches. Rub a thin layer of wax on the gasket after cleaning.
- Clean the cooling unit regularly, about once a month, to prevent odour and dust build-up.
- Clean the condenser and evaporator coils every six months with a vacuum cleaner. These are located behind the grille, on the front of the cold side.
- When changing the fuse, be sure to replace it with a fuse of the same size and shape.
- Overheating may result if the unit is not properly insulated and the machine is operated for a long period of time. Please contact us to correct any problems related to unit installation that may arise. We are also available to help you learn how to use or replace your unit, or repair fuses and correct wiring and/or plumbing in your home.
- Always have two or more people when servicing the unit. Failure to do so can result in serious injury, especially back injury, due to the unit's considerable weight.
- If the unit is damaged, call for professional repair or replacement.
- To prevent damage from potential overheating, each unit should be closely monitored for 12 hours after start-up and following power outages.
- When not in use for an extended period of time, unplug the unit, then clean, wipe, and dry it thoroughly. Detach all removable parts, wrap them well, and tape them together.

WARNINGS



Do not plug in the cooling unit if the power cord is damaged; it must be replaced by the manufacturer or by a qualified person in order to avoid any danger.



If the cooling unit is in "alarm" mode, unplug it immediately. Keep flammable materials and vapors such as gasoline away from the appliance. Failure to follow this instruction could lead to an explosion, fire or even death.



Do not use an adapter or extension cord to plug in the device. Children are not permitted in this area.



Proper drain monitoring is necessary to avoid the possibility of water damage. Make sure the seal is properly sealed.



Do not leave the light on for an extended period, this could increase the temperature of the room and affect the proper functioning of the unit.



The cooling unit is intended for indoor use only. The device cannot be installed/used outdoors.

Monitor storage and ambient conditions regularly and daily to avoid having to make multiple costly and unnecessary service calls.

FAQ AND TROUBLESHOOTING

IF THE COOLING UNIT IS NOT WORKING

Q1 : Has the cord come unplugged?

A : Plug it into a three-prong outlet.

Q2 : Has a household fuse blown or a circuit breaker tripped?

A : Unplug the cooling unit or turn off the power, then remove the control box and check/replace the fuse or reset the circuit.

Q3 : Does the unit show any physical damage from shipping?

A : Contact the shipping company for any shipping-related damage.

IF THE SCREEN DOES NOT TURN ON :

Q4 : Is the unit plugged in?

A : The unit has a three-minute delay between plugging in and full start-up. This is a built-in safety measure that protects the compressor in case of sudden power failure.

IF THE MOTOR SEEMS TO RUN TOO LONG :

Q5 : Is the outside temperature higher than normal?

A : Expect the engine to run longer in warmer weather. At normal temperatures, your motor should run between 40% and 80% of the time. In warmer conditions, expect it to run even more.

IF THE COOLING UNIT WORKS, BUT DOES NOT COOL ENOUGH :

Q6 : Is the storage temperature set properly?

A : The unit may take a few days to reach the desired storage temperature. Lower the room temperature if the unit temperature is too high.

Q7 : Are the room and floor properly insulated ?

A : Make sure you have at least R20!

Q8 : Is the grille blocked?

A : Make sure there are no objects obstructing the cooling unit so that air flows freely on both sides of it.

WARRANTY

Two year limited warranty :

This warranty entitles consumers to specific legal rights. The warranty covers a period of two years from the date of purchase mentioned on the original receipt. In the event of a defect or problem with the unit, it is our responsibility to refund the consumer the prorated portion of the purchase price based on the unexpired portion of the warranty. This limited warranty only covers replacement with an equivalent product under the conditions set forth below.

Important note: This limited warranty is valid only in the United States or Canada and applies only when the unit is used in the country where it was purchased.

This warranty does not apply if :

1. The device has not been kept running since its installation.
2. The unit has not been maintained or installed according to the manufacturer's instructions.
3. The information contained is incomplete or the warranty card is found to be altered.
4. Applicable codes and instructions are not followed correctly.
5. The installer has not operated the unit at the correct voltage/power.
6. The unit is damaged by shipping, transportation, installation, fire, or water.
7. This warranty does not cover replacement parts.
8. Losses due to cooling unit failure are not covered by this warranty.

This warranty applies if:

1. The product defect appears during the first year.
2. The consumer retains a proof of purchase, since the warranty applies only to the original purchaser.
3. The unit is operated and maintained in accordance with the instructions specified in this manual; Wine-R will pay for factory specified parts and labour to correct defects in materials and/or workmanship that existed at the time of purchase of this unit.
4. An identical part is no longer available due to a change in law, regulation, or standards; accordingly, the part will be replaced with one of similar functionality.
5. The claim of defect is made in writing within 15 days of the purchase directly to WINE-R.

WINE-R



Quick setup



Efficient



Easy to use



wine-r.com
1-877-807-2049