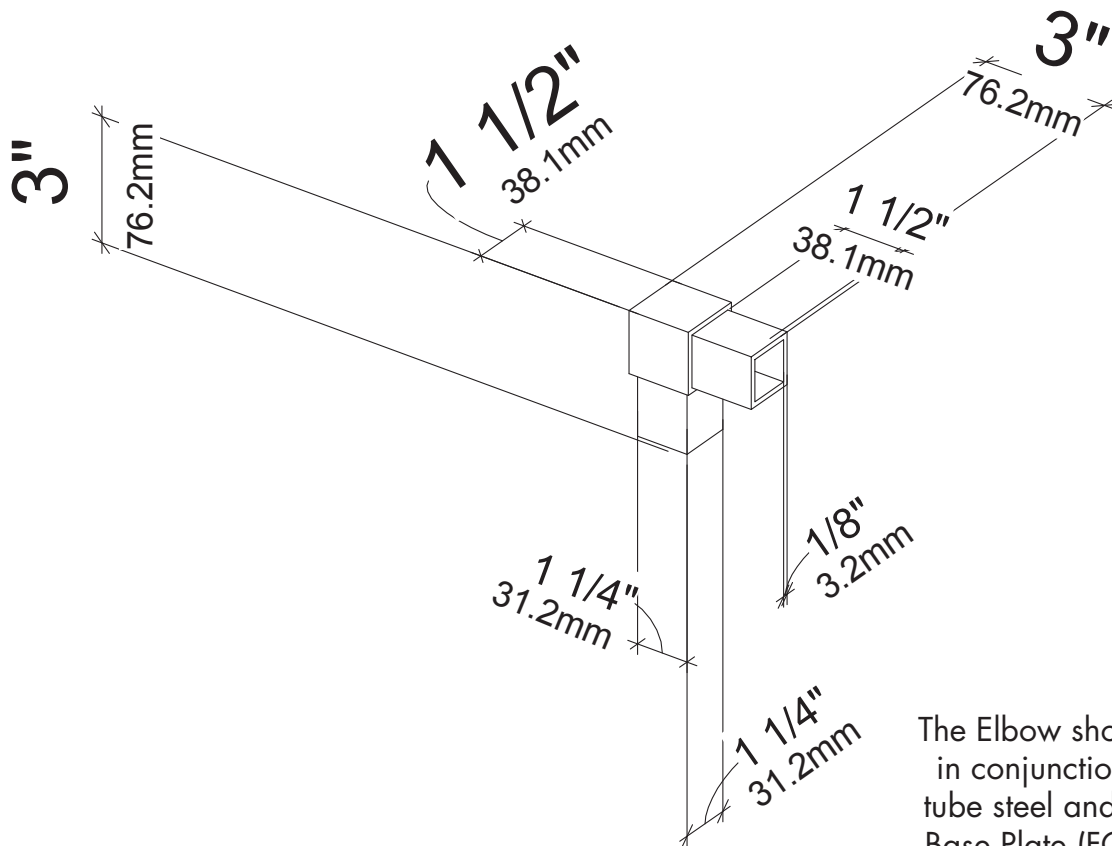


W Series Frame Elbow

Spec sheet for W Series Frame Elbow (FCF-ELBOW)



The Elbow should be used in conjunction with 1x1 tube steel and an Hidden Base Plate (FCF-HIDDEN) to offset a W Series Frame up to 12" from the wall.



VINTAGEVIEW®
MOVING WINE STORAGE FORWARD

4690 Joliet St., Denver, CO 80239 | phone: 866.650.1500 | fax: 866.650.1501 | VintageView.com

For product warranty information, please visit: VintageView.com/support/warranty. We're here to help, call us at 866-650-1500 with any questions