

# R Series Helix Wine Rack Post

Install guide for standard Vino Series Post (HX-FCP skus) configurations.



## Included:

- (1) Hollow Post Section
- (1) c-Channel Post Section
- (2) 6" Mounting Bases
- (TK) Mounting Plate Screws
- Drill Bit

## Additional Components:

(sold separately)

- Helix Wine Racks
- [optional] (1) 2' Post Extension or 5' Post Extension

## Required Tools:

- Drill
- Phillips head drill bit
- Phillips head screwdriver

Level

- Pencil or Marker
- Tape measure
- Metal cutting saw
- Metal file
- Square
- Rubber Mallet (optional)

## Important Note:

These installation instructions will assist you with installing the VintageView R Series Helix Wine Rack Post System (10', 12', or 15' configurations) in standard floor-to-ceiling applications. The Post System is designed for ceiling heights of up to 122" (310cm), 144" (366cm), 180" (458cm), respectively. **If using 5' Post; or Angled, Hidden, Floor-to-Wall, and other non-standard Mounting Bases, refer to specific instructions for complete installation details.**

## Fasteners:

Fasteners for securing Helix Wine Racks are provided (self-drilling screws). When installing finished R Series Post to the floor or ceiling, please use the following recommendations for fasteners:

### Guidelines for Floor/Ceiling Hardware

**Wood/Stud:** #8 x 1-1/4" course thread screws (or longer)

**Concrete, Brick, or Stucco:** 3/16" x 1-1/4" masonry screw or #8 x 1-1/4" screw with appropriate size expanding anchor

**Drywall:** Expanding hollow wall anchors with at least #8 screw size



## 1. IDENTIFY HARDWARE

Using the chart above, identify the proper floor/ceiling hardware (not included) that will be needed for your specific project. For drywall surfaces, VintageView recommend installing to joists or wood backing when available.

## 2. MEASURE INSTALLATION HEIGHT

Measure the ceiling height of the location of the first Post. Subtract 1/2" (1.5cm) from the measurement.

\*\* OPTIONAL 12' or 15' ADJUSTMENT\*\*

## 3. INSERT EXTENSION

If using a R Series Extension Piece (SKUs: RS-FCP-2, RS-FCP-12, or RS-FCP-15), complete this step.

Slide the Hollow Post Section onto the C-Channel of the 2' or 5' Extension. It may require a Rubber Mallet to connect fully (Figure C, following page).



## 4. MARK THE POST

Before installing Helix Wine Racks, lay (1) Hollow Post Section overlapping (1) c-Channel Post Section (Figure A). Position the sections so that the measurement from top to bottom of the base plates equals your measurement from Step 2. Mark any overlap on the Hollow Post Section (Figure A).

Note: The Mounting Base inserted into the top Post Section can telescope out 2" (51cm).

## 5. CUT THE POST

Using a Metal Cutting Saw, squarely cut the Post Section at the mark (Figure B). Use a Metal File to smooth rough edges. Avoid abrasive saws; they may damage the finish.

Slide the Post Section onto the c-Channel of the lower Post (Figure C). It may require a Rubber Mallet to connect.

## 6. INSERT MOUNTING BASES

Insert (1) Mounting Base into the open end of the c-Channel Post Section. Mounting Base must be fully inserted into the Post. Secure the Mounting Base into the Post with (2) self-drilling screws through the pre-drilled holes (Figure D). Insert Mounting Base into the Post Section. This will be the top of Post. Do not secure with screws yet to allow for height flexibility.

## 7. MARK MOUNTING HOLES

Place the Post in the desired location. Ensure it is plumb with a level and mark the mounting holes on both the ceiling and the floor.

Set the Post aside and pre-drill any required pilot holes based on hardware selection.

## 8. MARK MOUNTING PLATE HOLES

Lay the first Helix Wine Rack in the desired location on the connected Post. Mark the (2) or (3) mounting hole locations. Lay all additional Wine Racks in place to mark all additional mounting holes (Figure E, following page). Use a Level to ensure Racks are level. Set Racks to the side.

NOTE: Helix Wine Racks can be installed to one, two, three, or four sides of the Post. If consecutive Racks are assembled on adjacent sides, ensure wine bottles will not hit one another when stored.

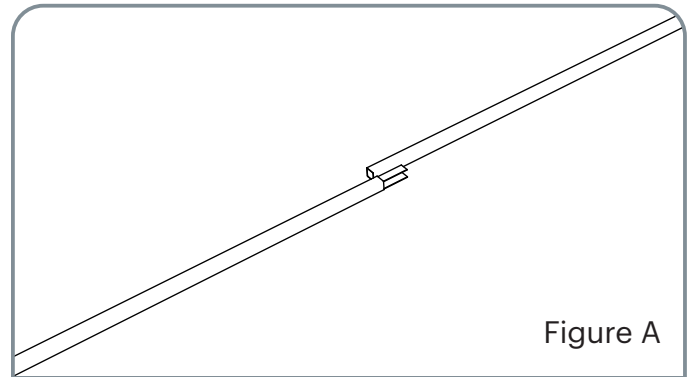


Figure A

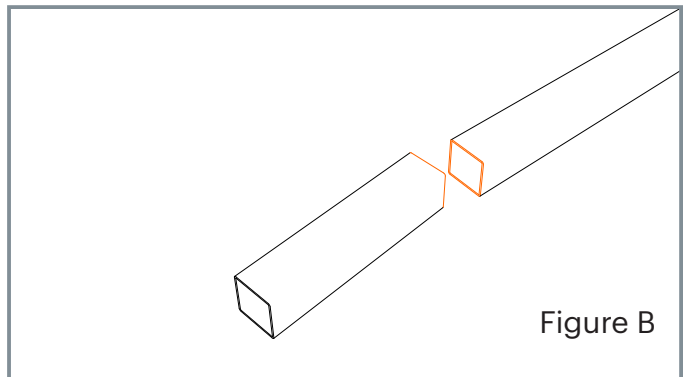


Figure B

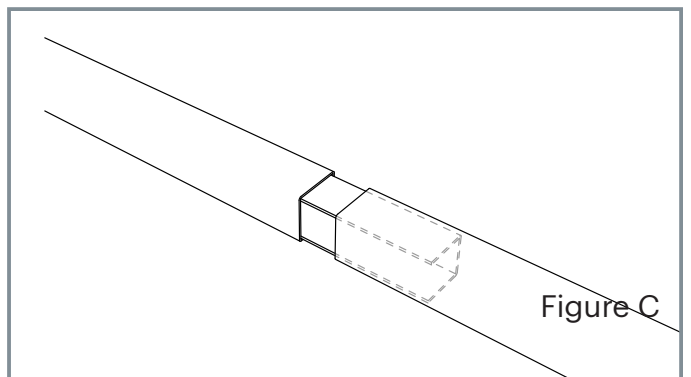


Figure C

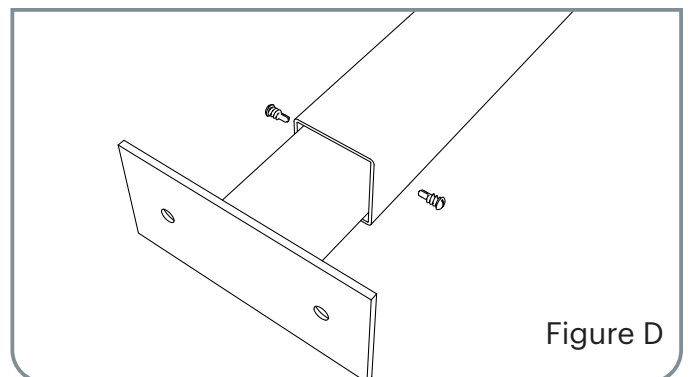


Figure D





## [IMPORTANT] STACKING DUAL RACKS

\*\*For Dual Wine Racks, alternate between Standard (VintageView logo faces RIGHT) and Mirror models to maintain pattern of bottle depth (Figure F).\*\*

## 9. PRE-DRILL MOUNTING HOLES

Using the provided Drill Bit, pre-drill all marked mounting hole locations.

## 10. INSTALL THE RACKS

Attach the first Helix Wine Rack to the Post using (2) or (3) Self-Drilling Screws into the pre-drilled holes. Repeat to attach remaining Wine Racks (Figure G).

## 11. INSTALL MOUNTING HOLE COVERS

Snap Mounting Hole Covers in place.

## 12. INSTALL THE SYSTEM

Stand Post Assembly in the desired location and ensure it is plumb both front and back and side-to-side.

Secure Post to the ceiling (Figure H) using (2) of the appropriate fasteners (not provided). Double check the Post is plumb and secure Post to the floor using (2) appropriate fasteners (not provided).

You can adjust the Mounting Base up to 2" (5cm) to meet the ceiling. Once the top Mounting Base is fully installed to ceiling, secure to Post using (2) self-drilling screws through pre-drilled holes (Figure I).

## 13. ADD WINE

Only the good stuff.

## Maintenance and Care:

The R Series Helix Wine Rack Post is covered by a lifetime warranty against factory defects.

Helix Wine Racks should be regularly checked for tightness. Should any piece be found to be loose, remove mounting hole covers and tighten with a screwdriver until secure.

The R Series Helix Wine Rack Post may be cleaned with a dry cloth or compressed air. Use rubbing alcohol for stubborn stains or marks. Avoid household cleaners, chemicals, abrasive pads, or steel wool as they will damage the finish.

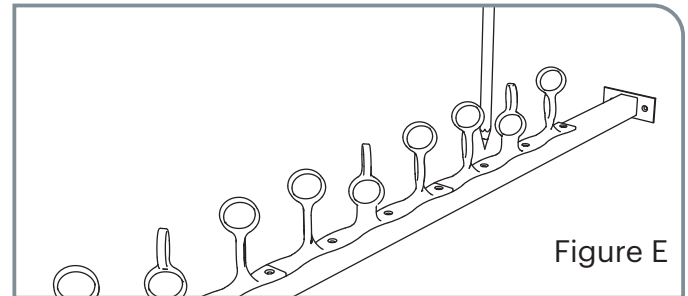


Figure E

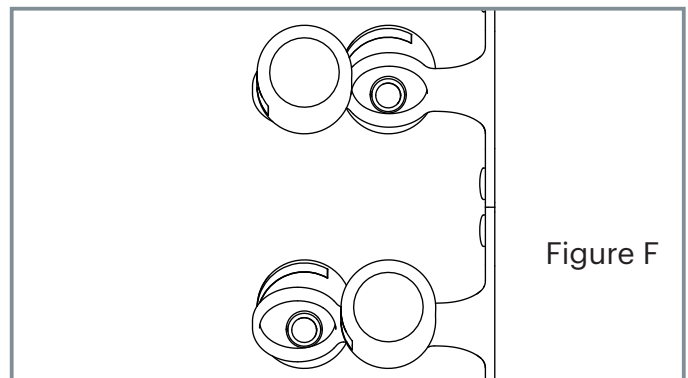


Figure F

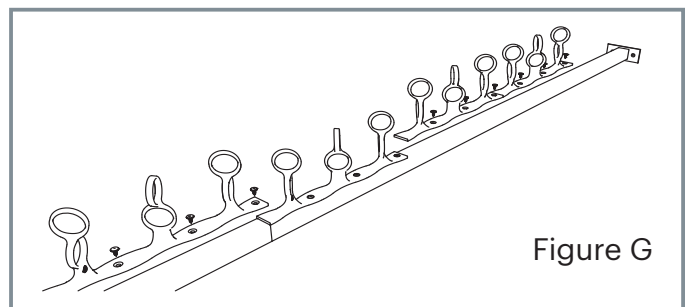


Figure G

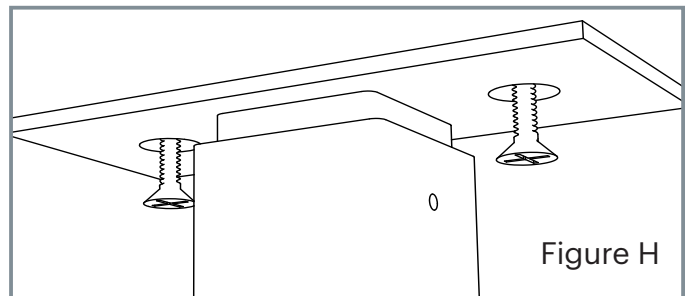


Figure H

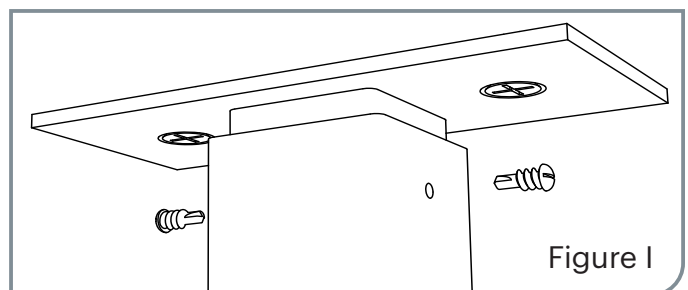


Figure I

