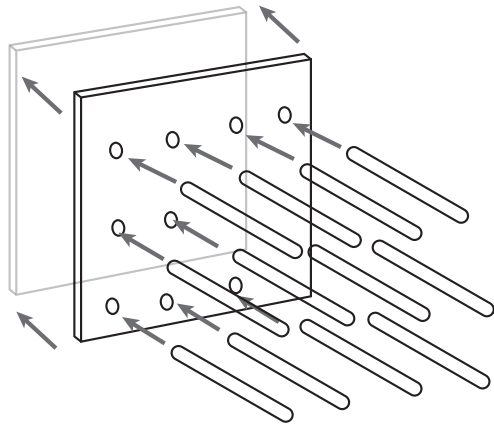


# STEP 06

Plug & Play. Line up the faceplate and backer panel holes then proceed to secure the faceplate using the provided Ultra PEGs.



# STEP 07

Congratulations! You have completed your Fusion Wine Wall Panel installation. Now it's time to pop a cork, sit back, and admire your handy work.



# ULTRA™ FUSION WINE WALL

## ULTRA FUSION WINE WALL INSTALLATION GUIDE

### Important! Before installing Pegs do the following:

1. Check the Package Contents for missing or damaged items  
Contact Customer Service at 1-(800) 343-9463 Ext: 802 for questions or concerns.

### Package Contents



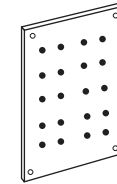
Wine Pegs



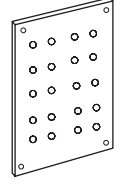
9x Wood Screws



9x Drywall anchors



1x Face plate



1x Backer Panel

\*\*\*See chart on back for number of pegs included

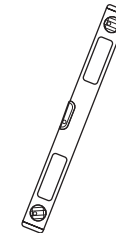
### Recommended Installation Tools (Not Included)



Power Drill



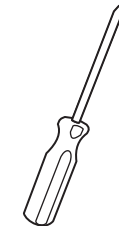
Drill Bit



Level



Pencil



Screwdriver



Tape Measure

### Recommended Fusion Applications:

**Drywall anchors (included)** - Use for installing rails to drywall if studs are not present in the desired location. Do not use drywall anchors to secure into a wall stud location.

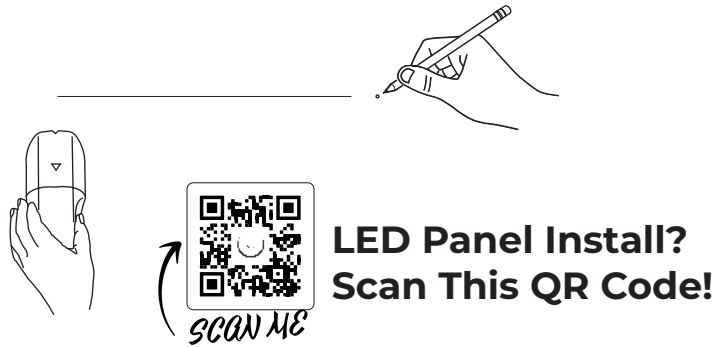
**Wood Screws (included)** - Use wood screw to secure wall studs or wood panels, do not use on drywall without securing to a stud. Concrete or Masonry applications not provided.

**Concrete, Brick or Stucco (Not Included)** - 3/16" x 1-1/4" Masonry Screw or #8x1-1/4" screw with the proper concrete anchors.

# INSTALLATION INSTRUCTIONS

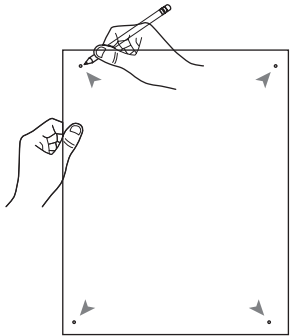
## STEP 01

Use a stud finder map mounting locations. Then proceed to trace a level guideline to use as a guide of where to place your panel.



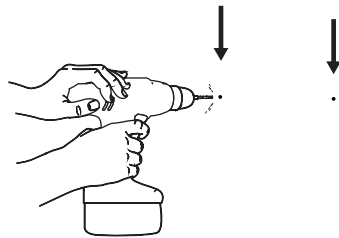
## STEP 02

Place backer panel against wall in desired location.



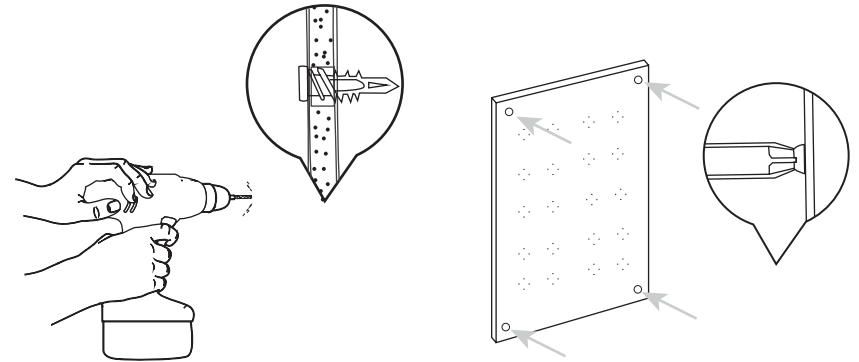
## STEP 03

Use a level and 1/8" drill bit to mark mounting holes, and drill the pilot holes.



## STEP 04

Drill drywall anchors into wall then mount backer panel with wood screws; if not mounting into drywall, directly secure the panel into stud with wood screw.



## STEP 05

Remove protective film from the faceplate. (If applicable)

